

A.V.Microtech

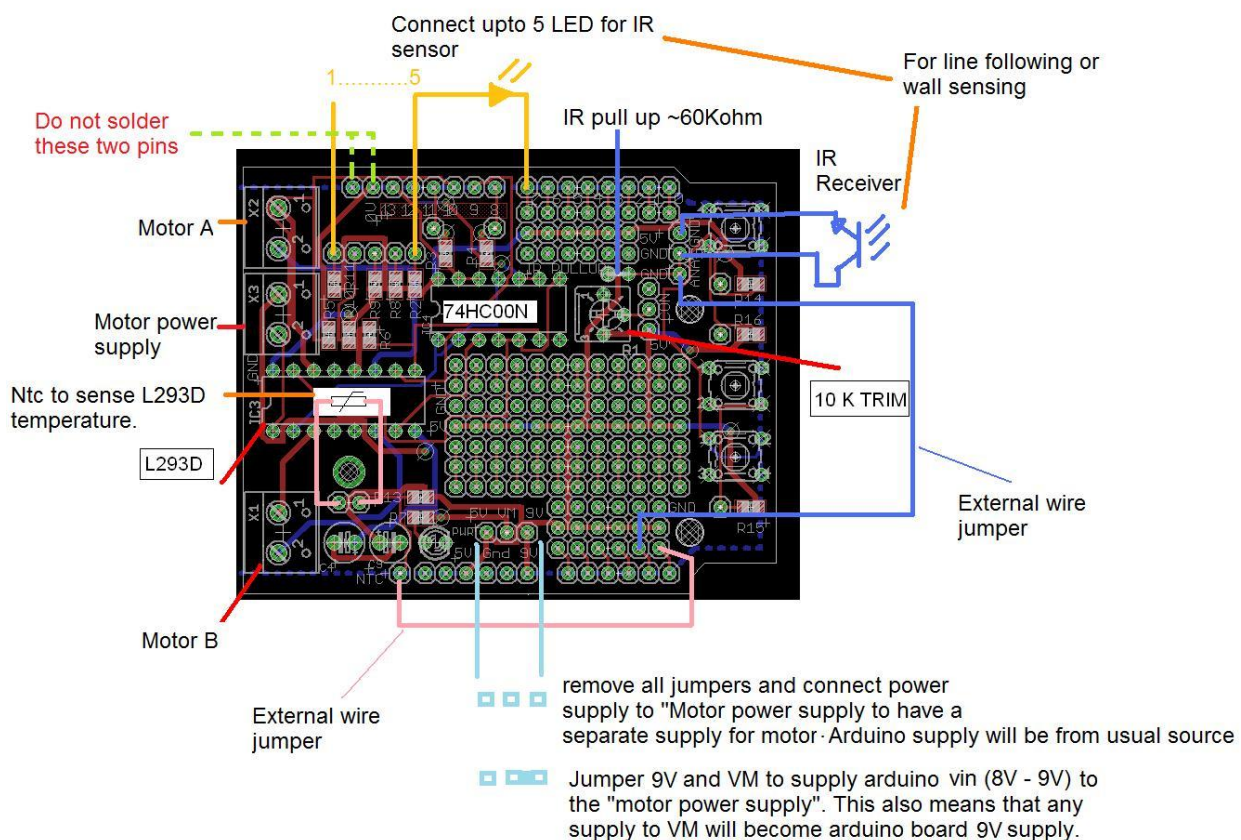
Address :-

Office:- 424D pocket-2 Mayur Vihar Phase-1, New Delhi 110091

Factory:- Sector 63 Noida

Specification

1. With on board resistor driver for interfacing 5 nos IR led.
2. With on board one pull up (~60Kohm) for IR receiver. All the IR receiver are connected to this.
3. With on board interface for NTC temperature sensor. This temperature sensor can be mounted on L293D to read the temperature.
4. With 10K trimmer to drive the contrast of 16x2 LCD interface.
5. Push switch with pull up for user input.
6. Prototyping area.
7. Multiple power input selection.



(similar arrangement also applies to 5V jumper setting but arduino regulator should not power the motor)